

a-mag

off road machines ag ●●●

aqua-mat AM 6-16 / AM 8-23



Technical Specifications /
Detailed Information

Technical Specifications

Drive unit

Engine power	265 KW / 360 PS – 352 KW / 480 PS
Gearing	32 forward gears / 4 reverse gears

Speed

top speed	88 km / h
Working speed	2.500 m / h

Assembly

Tank capacity	16 m ³ / 23 m ³
Main pump - performance	4m ³ / min
Filling time for 16 t water	6 min
Suction line connection	125 mm
Hydrant connection	80 mm
Cleaning pump working pressure	150 bar
Spray width, front dispenser	0 up to 16 m
Spray range, side dispenser	0 up to 25 m
Spray range, spray gun	60 m

Weights, dimensions

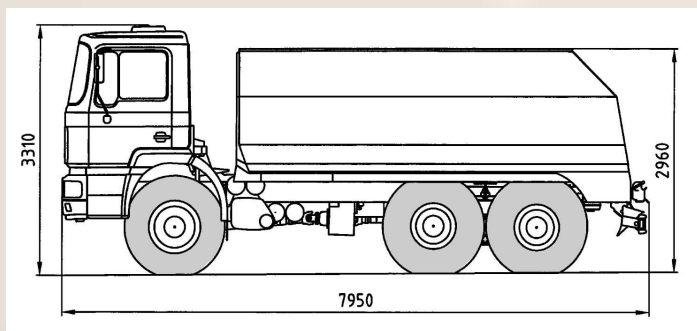
Unladen weight	14 t / 16 t
Payload	16 t / 23 t
dimensions (L x W x H)	8 / 10 x 2,55 x 3,31 m

Fluid capacities

Fuel	400 l
Hydraulic oil	140 l

Electrics

24 V



Detailed Information

High-tech solutions from more than 45 years practical experience in mixed- in-place.

The water sprinkler truck is fast, efficient and is suitable for pre- and follow-up treatment as well as direct treatment.

In addition it can be used for sowing embankments, wetting of construction sites and fighting fires.

- Infinitely **variable water dispensation** thanks to flow volume regulation and speed control.

- Infinitely adjustable **spray width from 0 to 16 m, capable** of treating motorways of up to 3 carriageways – including hard shoulder – in one pass. Also ideal for narrowing roads, slip roads. The dispensing jets are constantly visible by the operator who can make instant adjustments if necessary.

- Additional side-mounted dispensing jets (left and right) for follow-up treatment of the solidified area. The planed sub-grade does not need to be driven on as the water treatment can be done from the side therefore no tracks are left on the final formation surface.

- Water can be dispensed in forward and reverse drive.

- A rearward-pointing camera allows precise reversing an manoeuvring without the help of a third party.

Powerful water pump capable of 4m³/min throughput for rapid tank filling (full tank: 16 t of water in 6 minutes) from open waters, e.g. reservoirs, rivers and lakes. A grill prevents foreign objects from entering the tank. The robust pump can also be used for viscous fluids, e.g. for planting slopes and dams using seed enriched mixtures.

- 9 m long hose integrated as standard fitted with A-connector to enable water intake from open waters (**suction from up to 7 m in height**, e.g. from a bridge etc.) and a B-connector to connect to water hydrants.

- Extremely wide low-profile and low-pressure tires that leave minimal tracks and provide excellent traction on sandy surfaces. Off-road capability is second to none.

- As the vehicle can be **registered for normal use on public roads** travel between sites can be on motorways with speeds up to 88 km/h. Also ideal for towing.

- Low centre of gravity, therefore higher cornering speeds even with a half filled tank. By using numerous swell plates the water flow is controlled whilst travelling and the handling is always stable.

- Water pump with dirt cutter designed for high-pressure cleaning of all types of building site vehicles.

- Optional: spray gun (as used on fire engines) mounted on top of the tank.

Equipment

Standard Equipment:

- engine power 265 KW / 360 PS
- gearbox with servo shift, 32 gears
- permanent all-wheel-drive
- differential lock rear axles
- electronic-engine-management
- flow volume regulation and speed control
- water dispenser front and left side
- suction hose Ø 125 mm, 9 m with partier
- hydrant hose Ø 80 mm, 9 m
- hydrant connector on right side
- display: rpm of the main pump
- clogging indicator fr hydraulic-oil-filter
- elevated exhaust pipe
- anti-lock braking system
- Hobbs meter
- electric windows
- rearward actuated warnsignal
- 1 day training session onsite
- comprehensive tool-kit
- safety equipment with emergency cut off
- safety features approved by trade unions
- CE-certification

Optional Equipment:

- engine power 324 KW / 440 PS
- engine power 353 KW / 480 PS
- extreme wide desert tires, even for highway use
- infinitely adjustable spray width from 0-15 m
- water dispenser rear and right side
- spray gun
- spray width of fire monitor – adjustable
- cleaning pump with cleaning gun
- air conditioning
- air-filter with pre-filter
- trailer coupling for central axle trailer
- central lubrication system – fully automatic
- dual sound warning horn
- custom paint
- registered for normal use on public roads
- overnight cabin
- rearward pointing camera

a-mag

a-mag off road machines AG

Am Sportplatz 2 - D-56745 Bell /Laacher See

Tel.: +49 (0) 2652 / 93 93 6 – 0

Fax.: +49 (0) 2652 / 93 93 6 – 99

info@a-mag.de - www.a-mag.eu