

contra-mixer® CM 2-20

Technical Specifications / Detailed Information



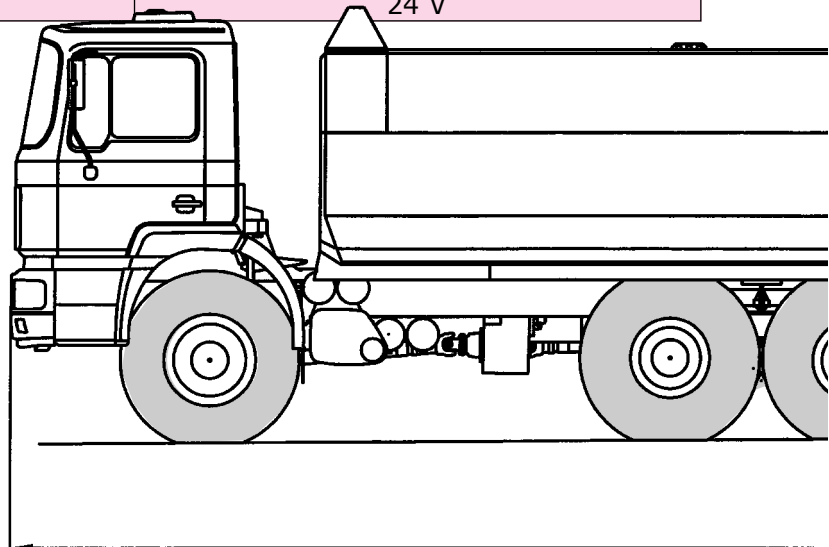
Technical Specifications



	contra-mixer® CM 2-20
drive unit	
engine power	240 KW / 320 PS
emissions	Euro 3
fuel flow – full power	205 g/kwh
fuel flow – 3/4 power	190 g/kwh
speed	
1. Gear – working speed	0-5 km/h
2. Gear – transit speed	0-15 km/h
reverse speed	15 km/h
tire size	
front axle	1300 x 370 mm
rear axle	1300 x 500 mm
cutting mandrel	
deep cut *1	15 - 30 cm
wide cut	2,20 m
cutter speed	0 up to 260 min ⁻¹
cutter transverse tilt	left 10° - right 10
water spray system	max. 60 m ³ /h
material cross handler	variable
weights, dimensions	
rear axle width	2,17 m
cutterbox width	2,21 m
total width	2,23 m
axle ground clearance	0,48 m
operating weight *2	8,5 t
overall dimensions	7,78 x 2,23 x 2,69 m
fluid capacities, electrics	
fuel	550 l
hydraulic-oil	300 l
cleaning fluid	45 l
voltage	24 V

*1 = The maximum cutting depths can be vary due to abrasion.

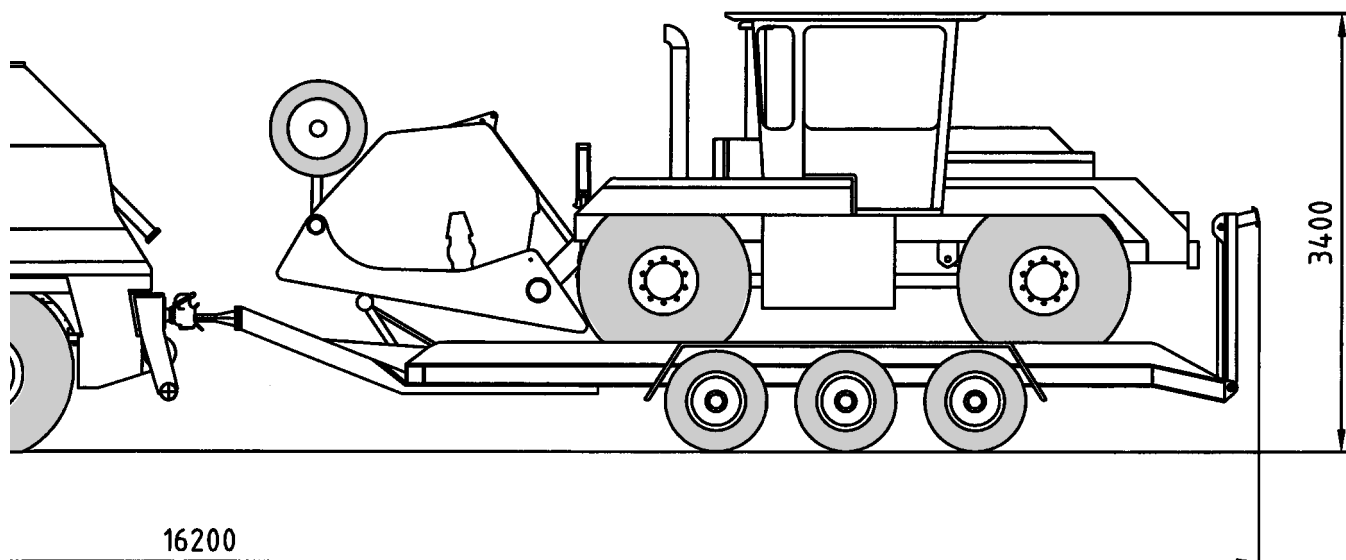
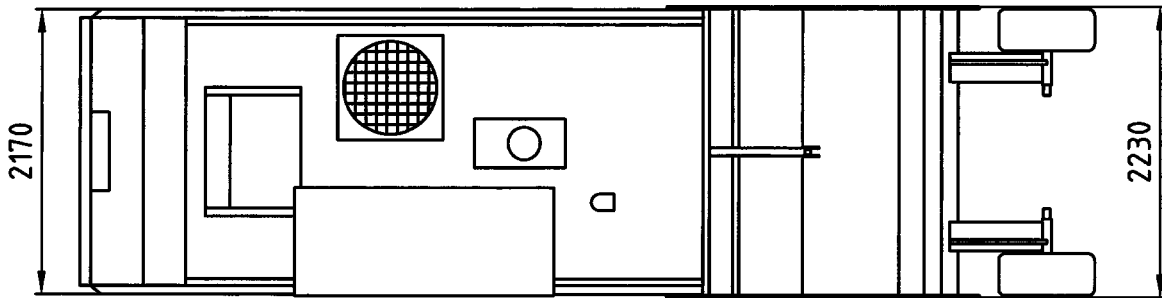
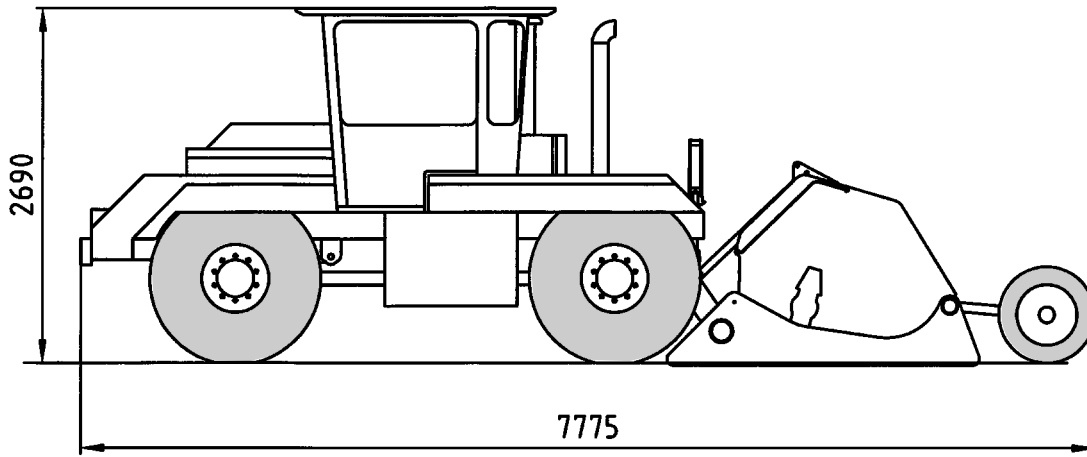
*2 = operating weight is standard vehicle without optional equipment.



Dimensions



Dimensions in mm



Detailed Information



High-tech precision mixer from over 40 years practical experience in mixed-in-place.

The precision mixer precisely adopts the sub-grade, strengthens the frost resistance layer, eliminates any existing irregularities and produces the final formation.

The usually necessary fine grading work is no longer required.

Conventional rotavators and recycling rotavators that are used for cement soil stabilization leave deep tracks.

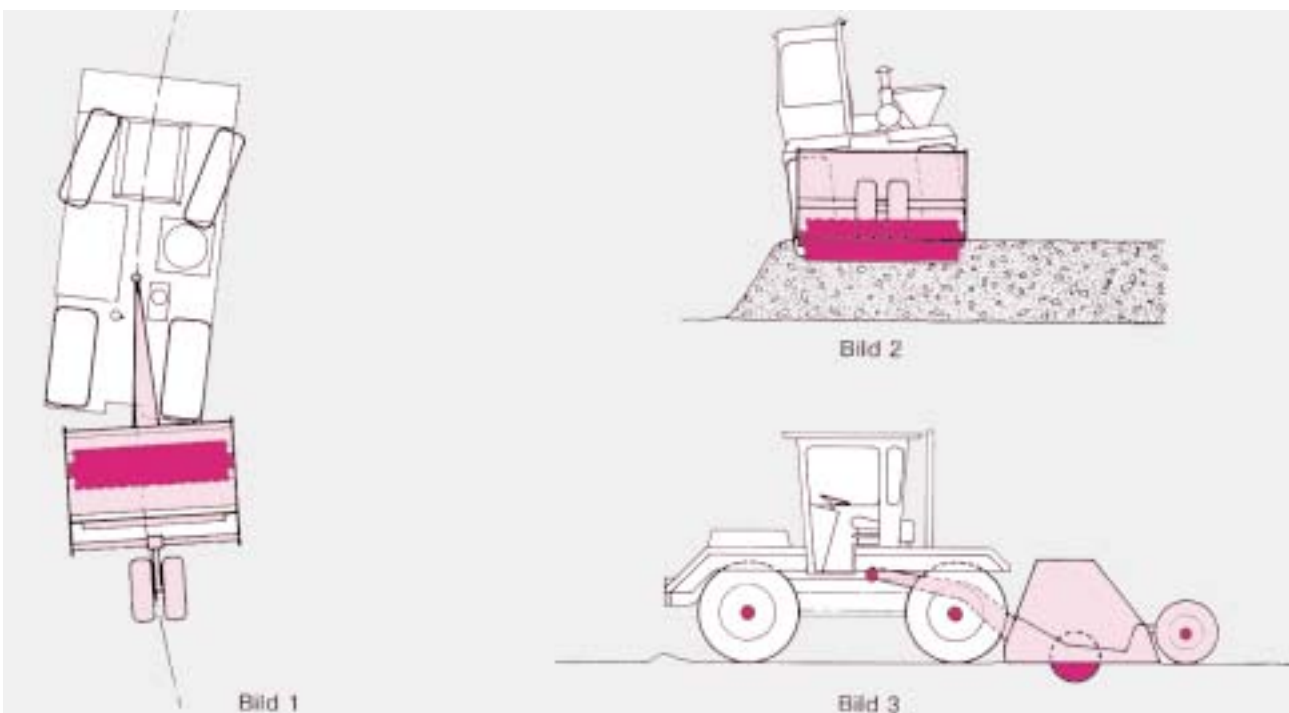
In addition to this the application and lifting of the mixing rotor can cause irregularities. A grader then has to re-establish the planned sub-grade.

The final grading procedure reorganizes the ground formation, i.e. a higher or lesser concentration in the improved sub-grade will arise and a homogeneous consistency cannot be achieved.

We have overcome these problems by engineering our own Material cross-handler and Support-Frame-Technology, integrating these into our contra-mixer® CM 2-20.

A precision mixer proven over decades for all kinds of stabilizations and solidifications.

- Daily output: up to 18.000 m²
- Mixing depth up to 30 cm. Set depth kept precisely.
- **Vehicle width = working width.** Precise mixing even along obstacles is possible due to the rotordrive being located on the inside as opposed to the outside.
- Screeding beam adjustable to allow for height and gradient. Vibrating beam for pre-compaction. Adherence to any crosswise incline infinitely variable.
- The mix basin is mid-mounted by a gooseneck, hydraulically variable in height and crosswise gradient. As a result embankment crowns can be adjusted for (illustrations 1-3).
- Low-profile off-road tires minimize tracks.
- Fulfills all required quality criteria such as depth of treatment, crushing and homogeneous consistency.
- High-speed rotor fitted with large number of mixing blades.
- Mixing blades overlap by 100% (this is not achievable with recycling-tools, which usually have a spacing of 30-40 mm). Allowing smooth transition from concrete platters to the sub-grade.
- Homogeneous mixing of soil and bonding agents.



Equipment, Optional Extras



	● standard	○ option
heated cabin with airfilter	●	
air conditioning		○
slightly pressurized cabin to prevent dust from entering	●	
both joysticks controlling all functions	●	
driver information system on display	●	
4 high power lights	●	
permanent 4 - wheel drive	●	
cutter transverse tilt		○
automatic deep cut control with ultrasonic probe		○
electronic cutter transverse tilt control		○
screeding beam - adjustable	●	
vibrating beam for pre-compaction		○
material cross handler		○
rotor cutting tools for precise mixing	●	
water spray system with flow-meter		○
45 l cleaning fluid tank	●	
engine mounted compressor		○
fastening system for trailer transport and shipping	●	
tow bar coupling	●	
backup system for all functions	●	
custom paint		○
sound-proofing	●	
safety lights, rotating beacon	●	
2 days training session onsite	●	
comprehensive toolkit	●	
safety equipment with emergency cut off	●	
safety features approved by trade unions	●	
CE-certification	●	



**a-mag off road machines AG
Am Sportplatz 2
D-56745 Bell**

**Tel.: +49 (0) 26 52 / 93 93 6-0
Fax: +49 (0) 26 52 / 93 93 6-99
info@a-mag.de
www.a-mag.de**